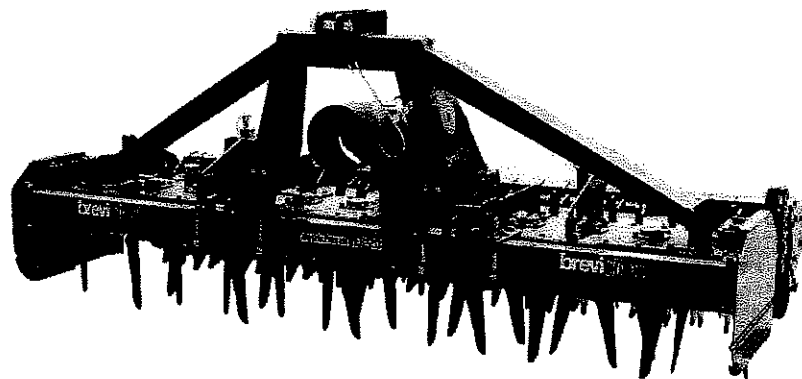


PLEASE REMIT TO: GENERAL IMPLEMENT DISTRIBUTORS • P.O. BOX 27275 • SALT LAKE CITY, UTAH 84127

# breviglieri

macchine agricole

## Erpice rotante mekfarmer 220



E0100069/3



Istruzioni per l'uso e manutenzione - Parti di ricambio  
*Operating and maintenance - Spare parts*  
Utilisation et entretien - Pièces de rechange  
*Betriebs- und Wartungsanleitung - Ersatzteile Katalog*  
Instrucciones de empleo y mantenimiento - Repuestos

Authorized Signature

\_\_\_\_\_

\_\_\_\_\_

\_\_\_\_\_

\_\_\_\_\_

\_\_\_\_\_

\_\_\_\_\_

\_\_\_\_\_

\_\_\_\_\_

\_\_\_\_\_

\_\_\_\_\_

\_\_\_\_\_

\_\_\_\_\_

\_\_\_\_\_

\_\_\_\_\_

BROKEN  
PUT BACK

INT

1 1

Taken By  
Terms

Order Ship B/O

082

Br Trk Make Mod

UNITS INTL

Customer  
81 PARTS

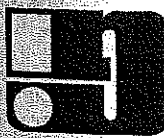
2955 WEST 2100 SOUTH • SALT LAKE

www.gen

DISTRIBU

IMPL

GENI



Authorized signature \_\_\_\_\_  
Date \_\_\_\_\_  
Entered by \_\_\_\_\_  
Checked by \_\_\_\_\_

**mekfarmer 220**



<b>breviglieri</b>		CE	
macchine agricole			
MODELLO	(A)	VERSIONE	(B)
MATRICOLO	(C)	MASSA Kg (D)	LUNG (E)

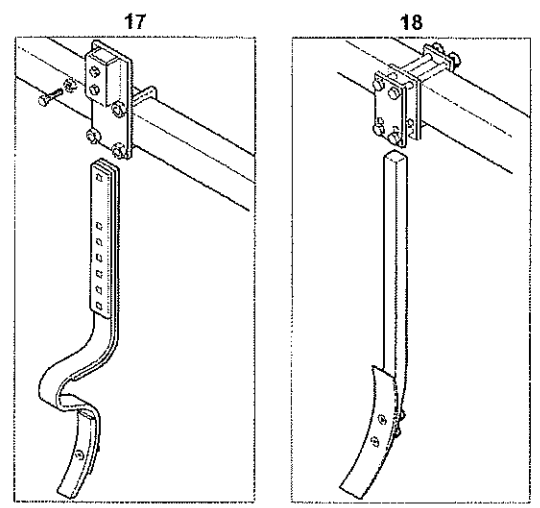
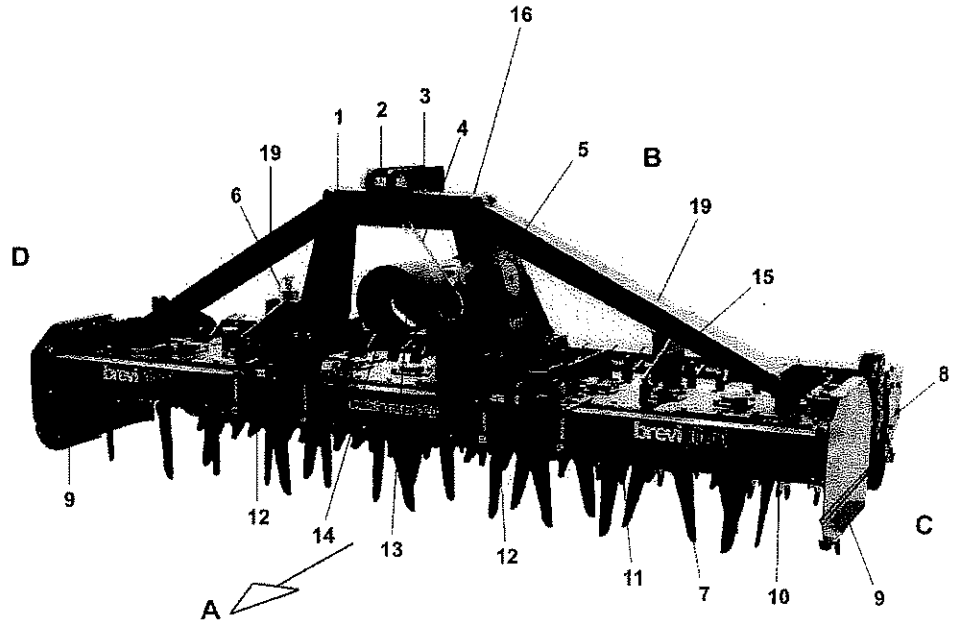


Fig. 1

UNIT'S IN  
CUSTOM  
2955 WEST 2100 SOUTH • SALT  
LAKES, UTAH 84127  
PHONE (801) 487-1111  
FAX (801) 487-1112  
WWW.BREVI.COM

UNIT'S IN

CUSTOM

2955 WEST 2100 SOUTH • SALT

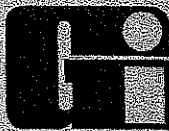
WWW

PHONE

FAX

GEN





**GENE  
IMPLE**  
DISTRIBUTO  
www.genei

2955 WEST 2100 SOUTH • SALT LAKE CI

Customer  
81PARTS

UNITS INVEN

Br Trk Make Mode  
082

Order Ship B/O

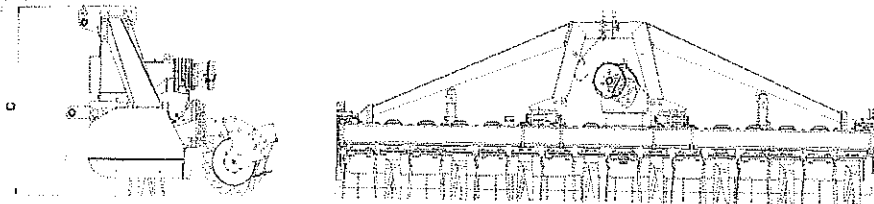
Taken By  
Terms

1 1

INT  
PUT BACK ON  
BROKEN

brevolenti

mekfarmer 220



MOD.	A		B		C		kW	HP	N°	525		450		500	
	cm	in	cm	in	cm	in				kg	lbs	kg	lbs	kg	lbs
300	300	118,11	156	61,42	127	50	103 - 118	140 - 160	24	1240	2734	1260	2778	1400	3086
350	348	137	156	61,42	127	50	110 - 132	150 - 170	28	1340	2954	1390	3064	1570	3461
400	396	155,91	156	61,42	127	50	125 - 147	170 - 200	32	1510	3329	1560	3439	1780	3924
450	444	174,8	156	61,42	127	50	132 - 162	180 - 220	36	1680	3704	1730	3814	1940	4277

Fig. 2

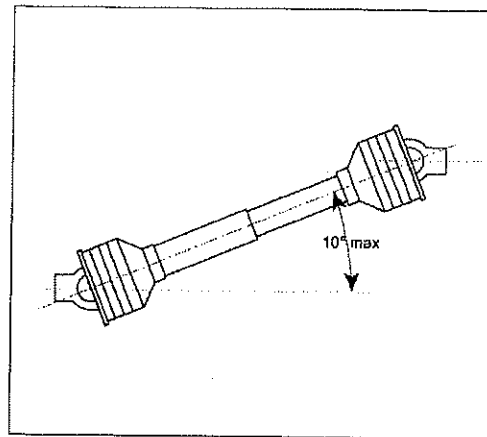


Fig. 3

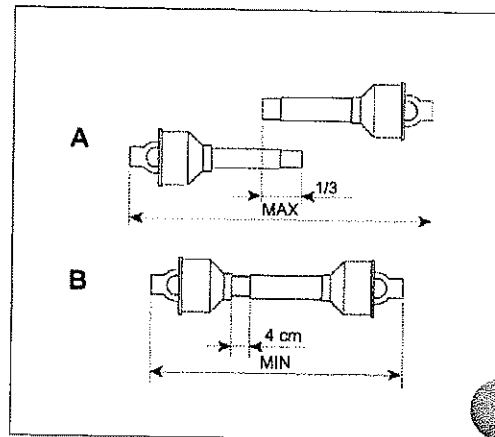


Fig. 4

- 4 -

Authorized Signature

Date

Pulled By

Checked By

PLEASE REMIT TO:

GENERAL IMPLEMENT DISTRIBUTORS • P.O. BOX 27275 • SALT LAKE CITY, UTAH 84127

mekfarmer 220

breviglieri

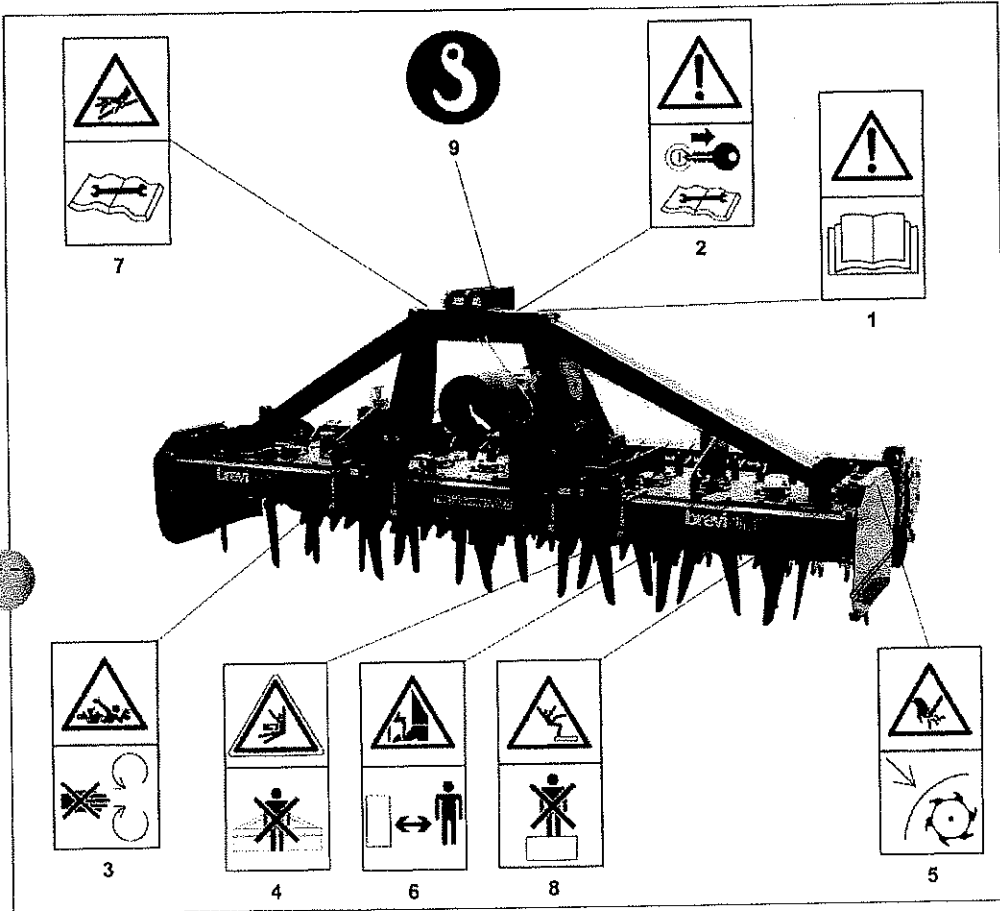


Fig. 5

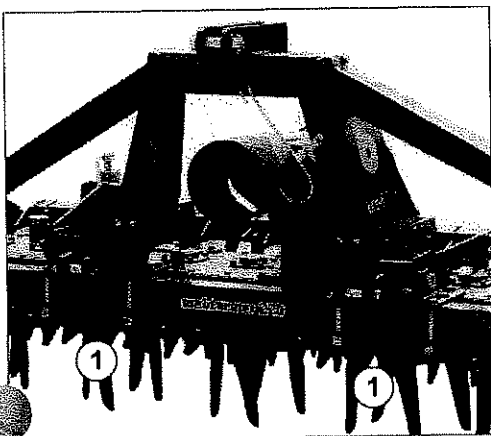


Fig. 6

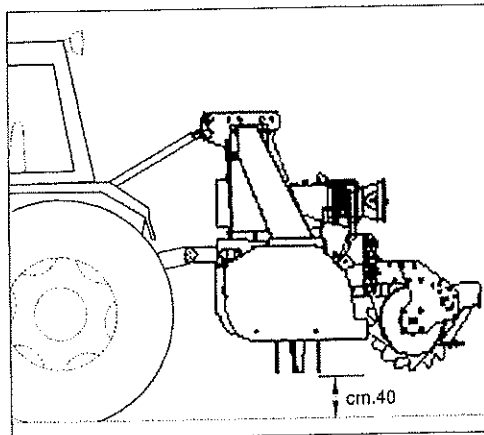


Fig. 7

PUT BACK  
BROKEN

INT

1 1

Terms  
Taken By

Order Ship B/O

082

By Trk Make Mod

UNITS INT

Customer  
81 PARTS

2955 WEST 2100 SOUTH • SALT LA

WWW.BI  
DISTRIB

IMP  
GEN



Customer  
81PARTS

UNITS INV

Br Trk Make Mod  
082

Order Ship B/O  
Taken By  
Terms

1 1

INT

PUT BACK O  
BROKEN

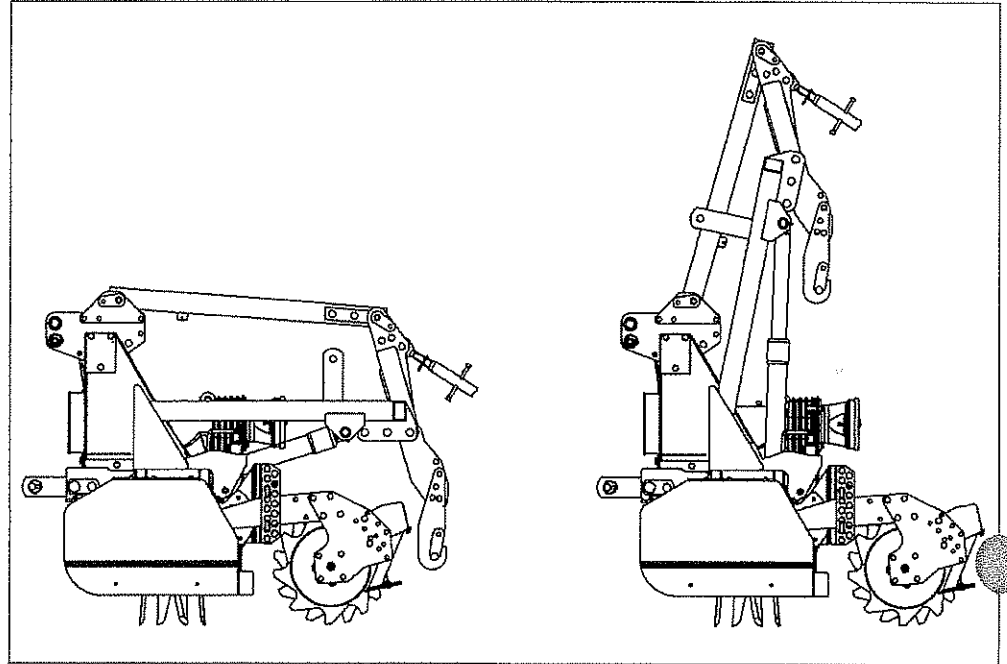


Fig. 8

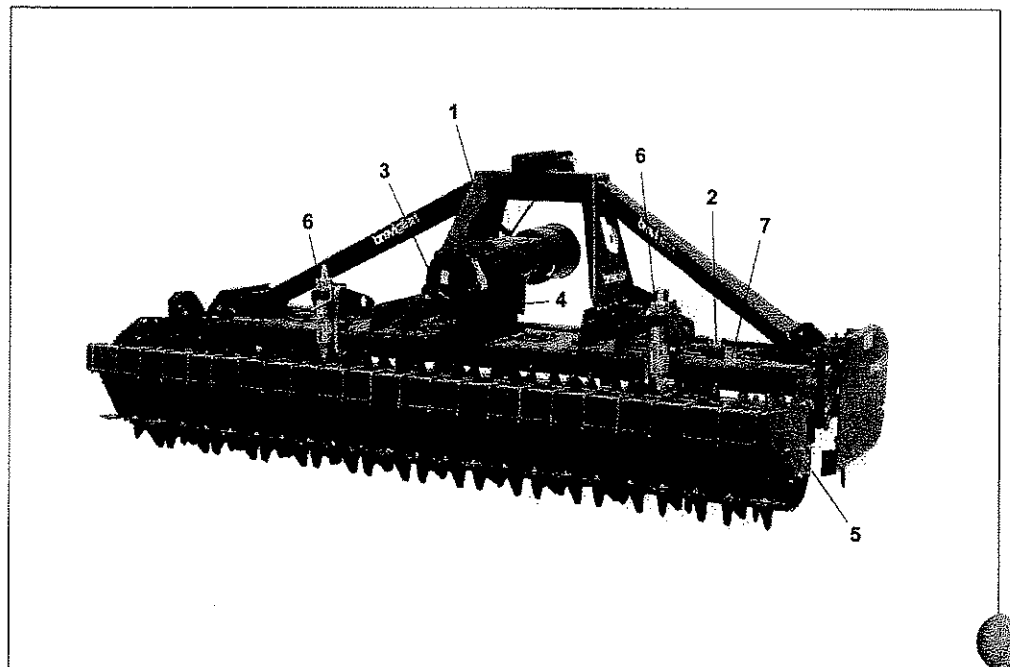


Fig. 9

Authorized Signature

Date

Pulled By

Checked By

Authorized Signatures

**mekfarmer 220** **breviglieri**

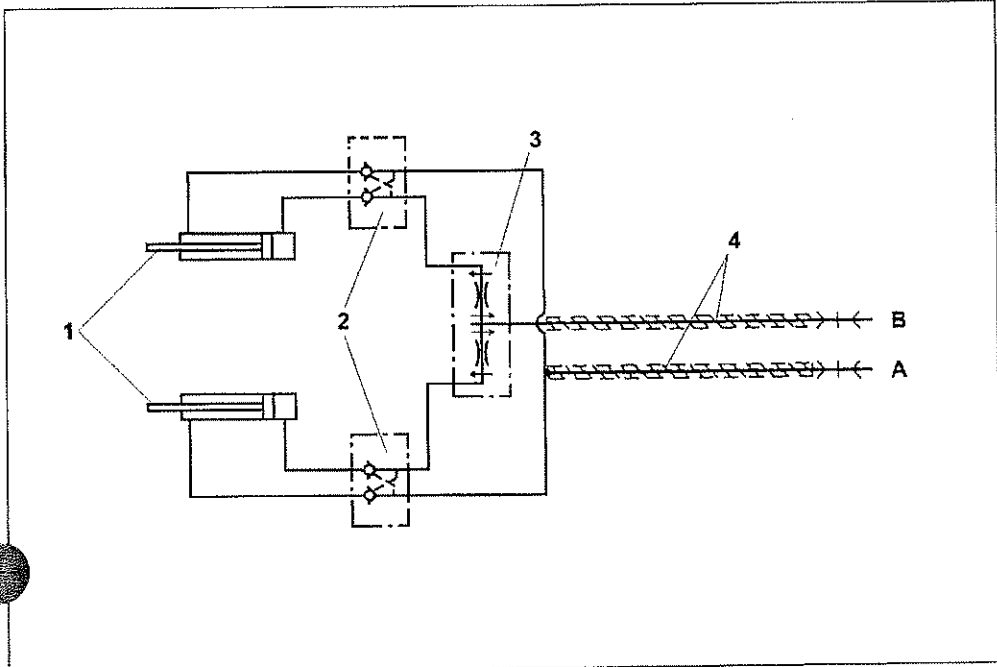


Fig. 10

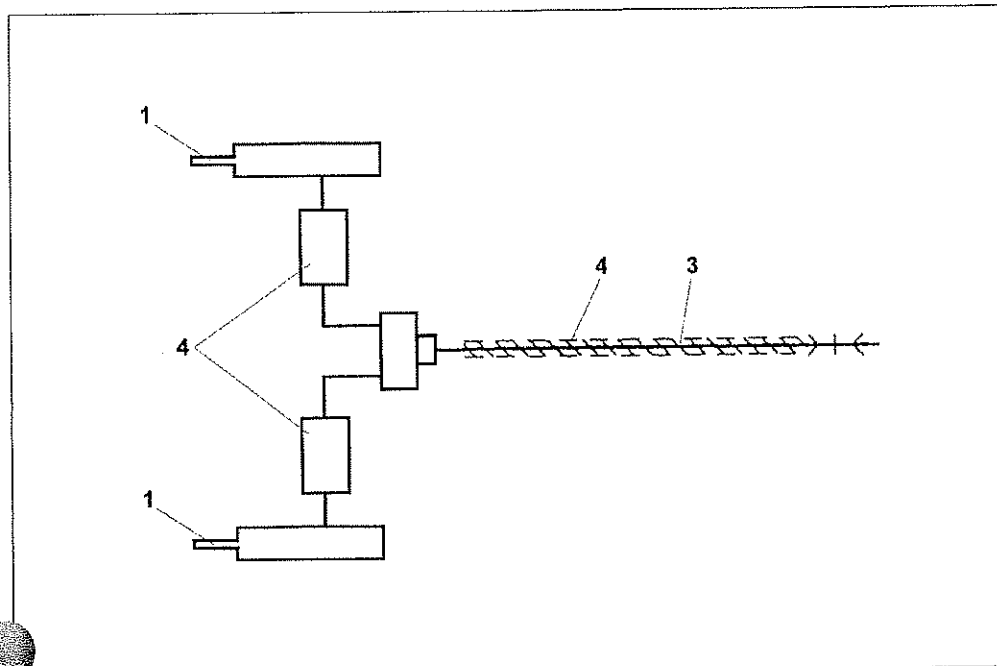


Fig. 11

INT  
TAKEN BY  
ORDER SHIP B/O

TERMS  
T  
I

082  
ST TRK MAKE  
MO

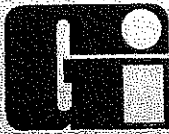
ENTR INT

CUSTOMER  
ST PARTS

2955 WEST 2100 SOUTH • SALT LAKE CITY, UTAH 84119

WWW.BE





**GENE  
IMPL  
DISTRIBU  
WWW.gen**

2955 WEST 2100 SOUTH • SALT LAKE

Customer  
81PARTS

UNITS INVE

Br	Trk	Make	Model
082			

Order	Ship	B/O	Taken By	Terms
1	1			

INT

PUT BACK ON  
BROKEN

**b** brevigneri

**mekfarmer 220**

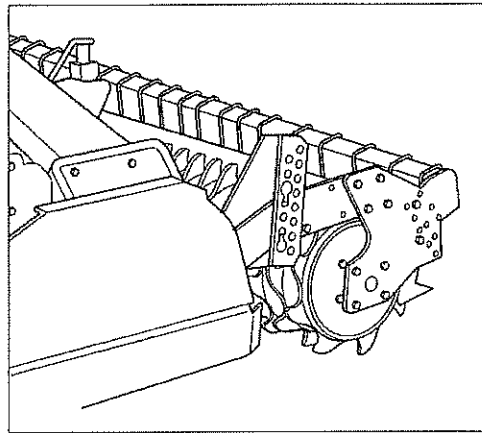


Fig. 12

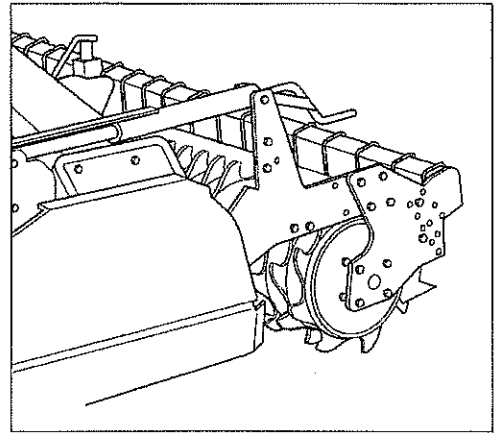


Fig. 13

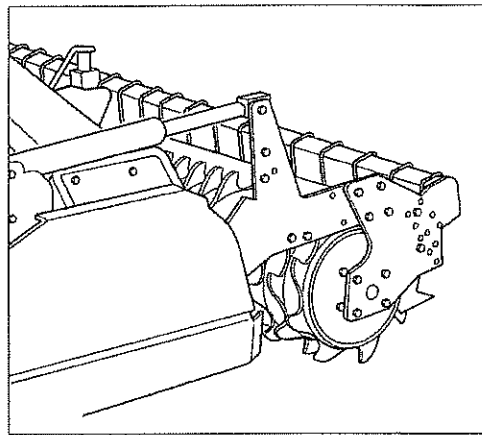


Fig. 14

- 8 -

Authorized Signature

Date

Pulled By

Checked By

PLEASE REMIT TO:

GENERAL IMPLEMENT DISTRIBUTORS • P.O. BOX 27275 • SALT LAKE CITY, UTAH 84127

Customer 81 PARTS

UNITS INVEN

Br Trk Make Model

082

Order Ship B/O

Taken By

1

INT

PUT BACK ON BROKEN

Authorized Signature

Date

Pulled By

Checked By

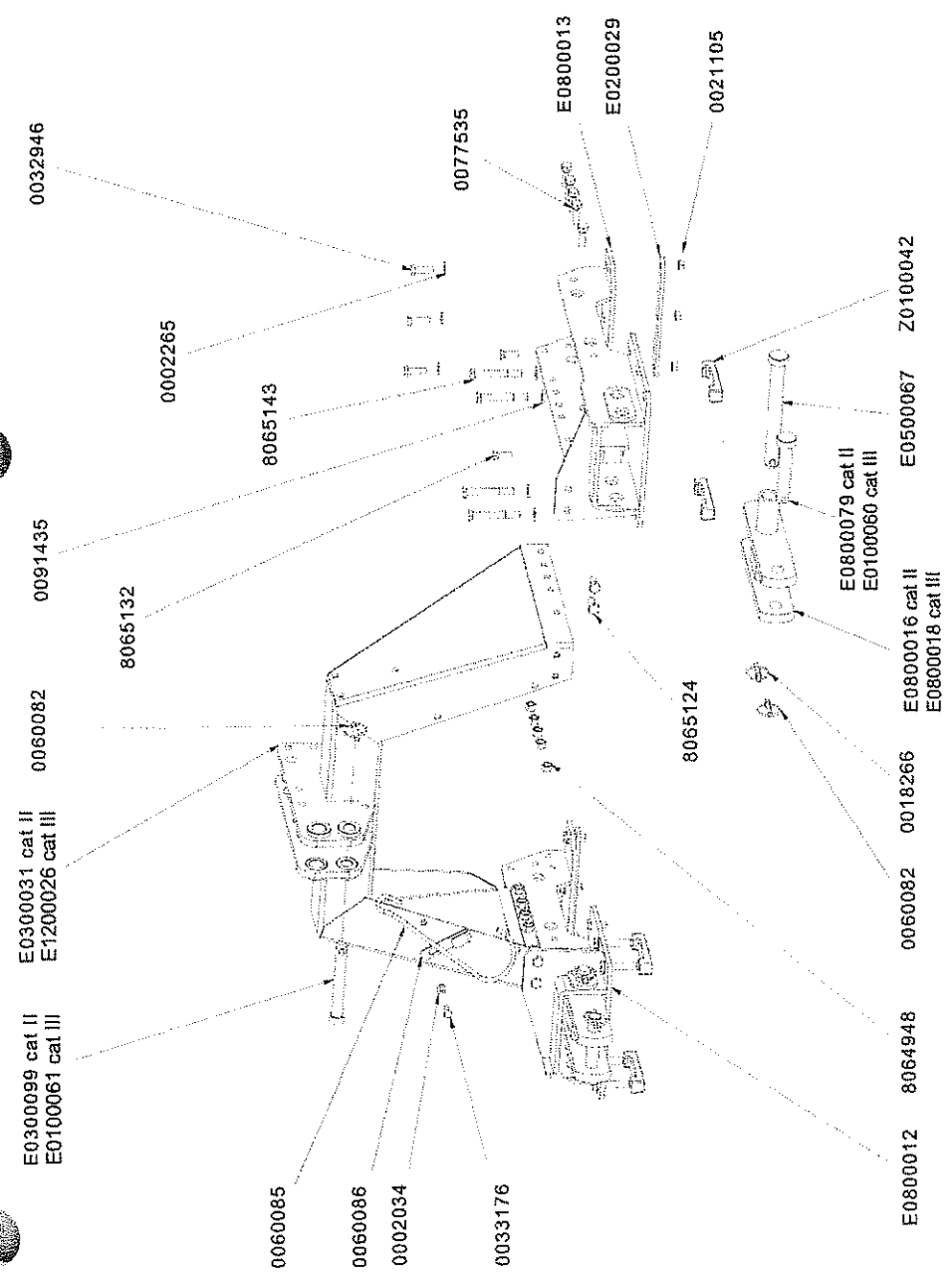
PLEASE REMIT TO:

GENERAL IMPLEMENT DISTRIBUTORS • P.O. BOX 27275 • SALT LAKE CITY, UTAH 84127

mekfarmer 220

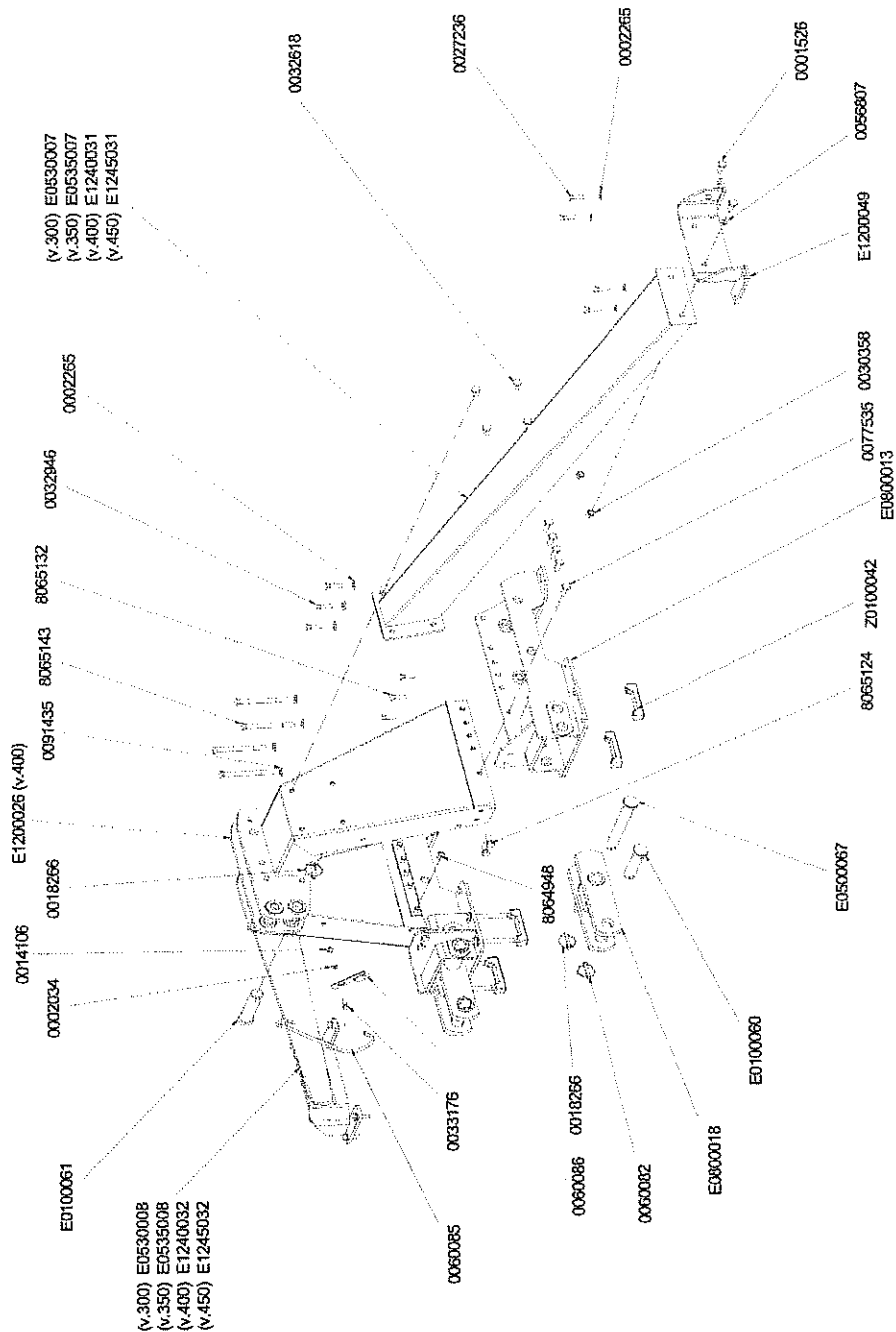


TAV.1

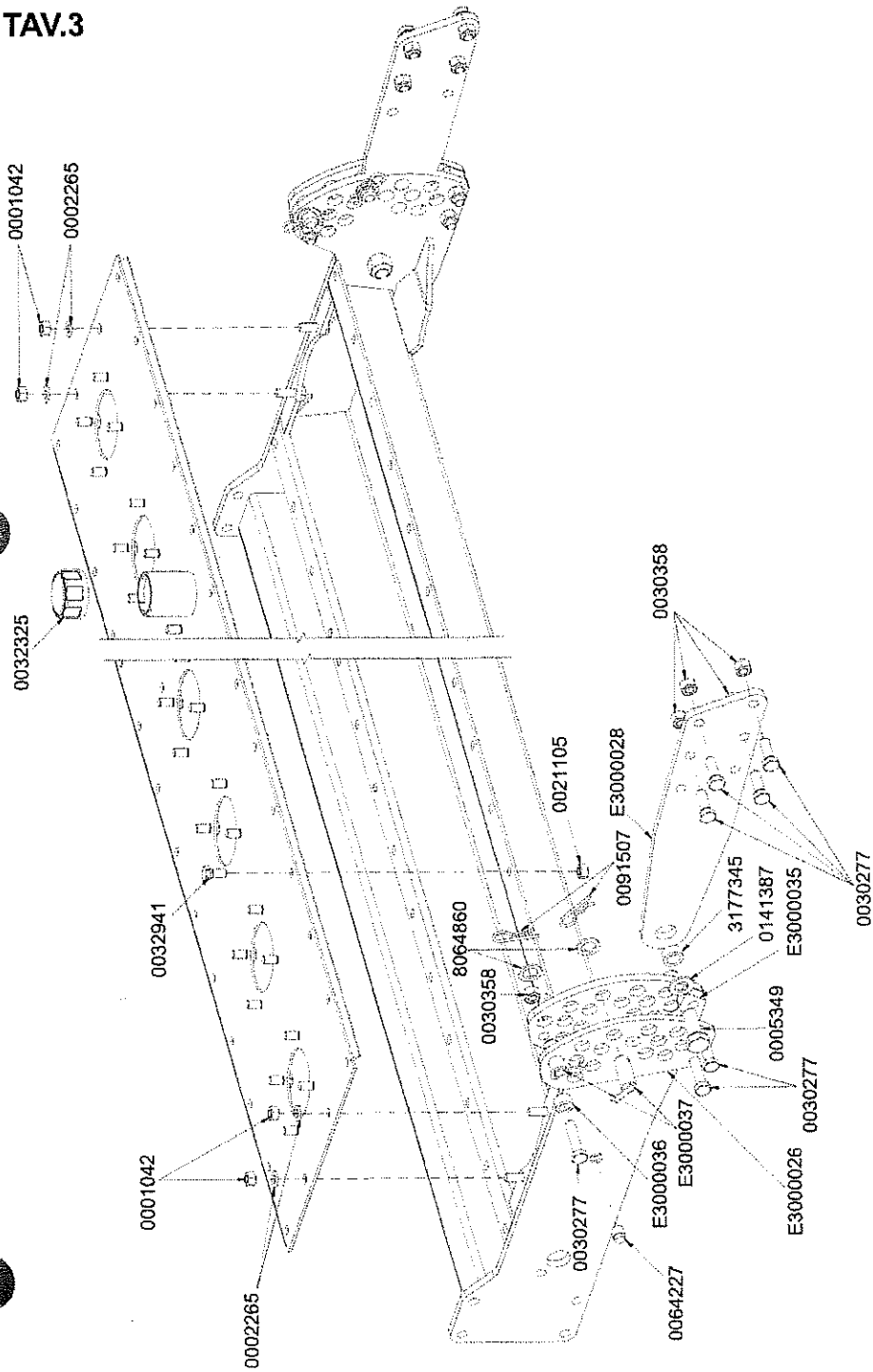




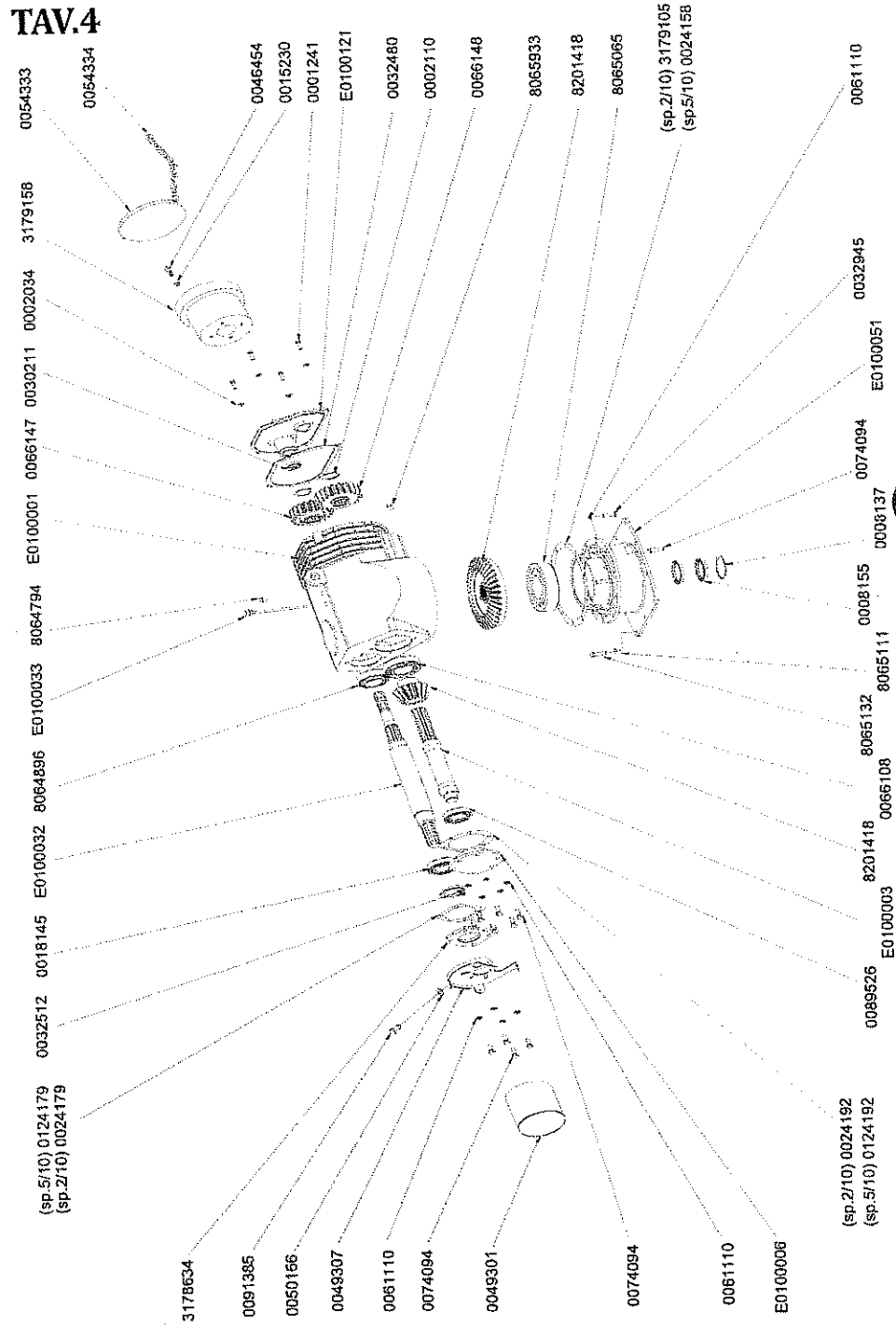
TAV.2



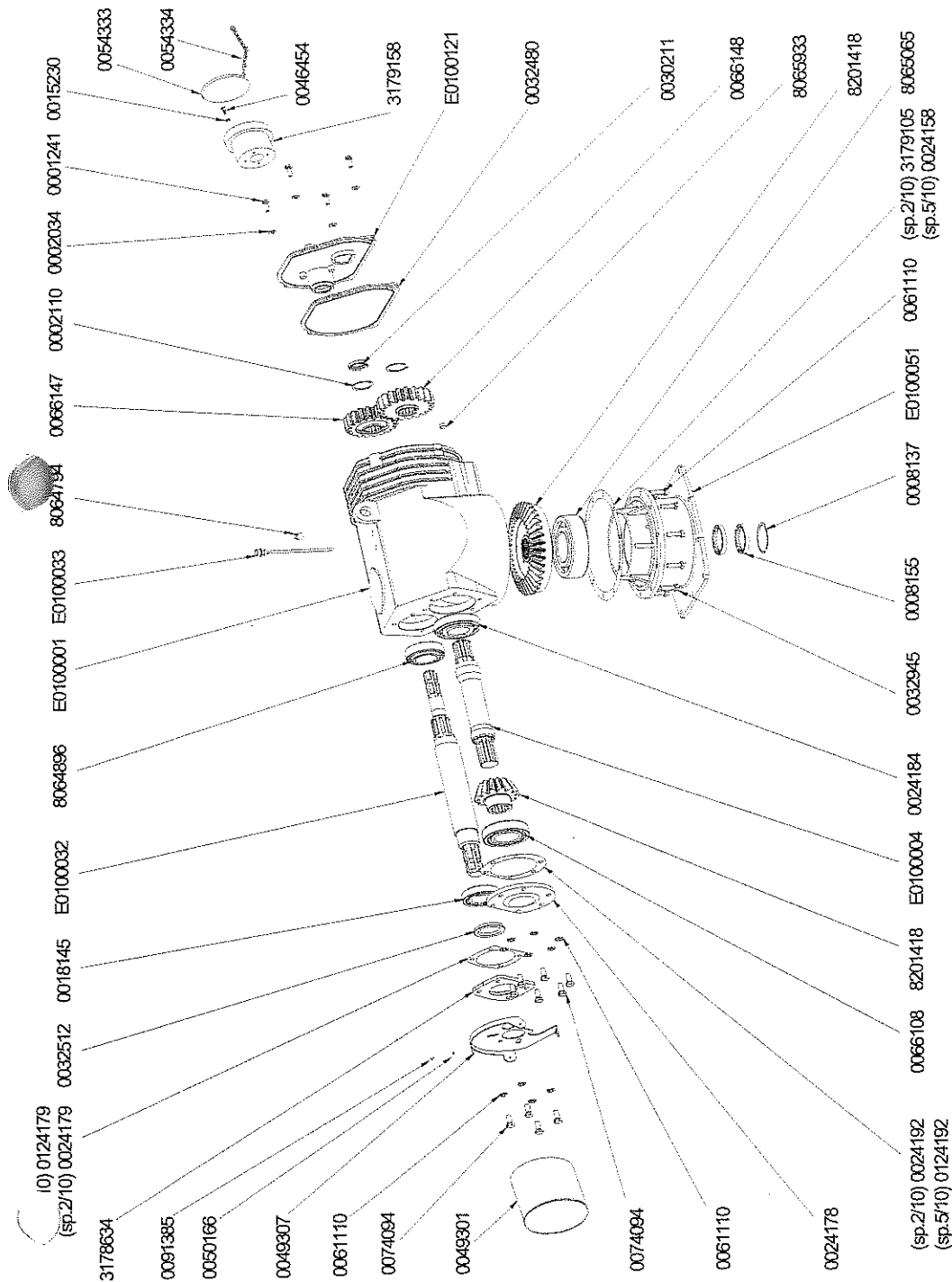
TAV.3



### TAV.4



### TAV.5



TAV.6

2955 WEST 2100 SOUTH • SALT LAKE

Customer  
81PARTS

UNITS INV

Br Trk Make Mod

082

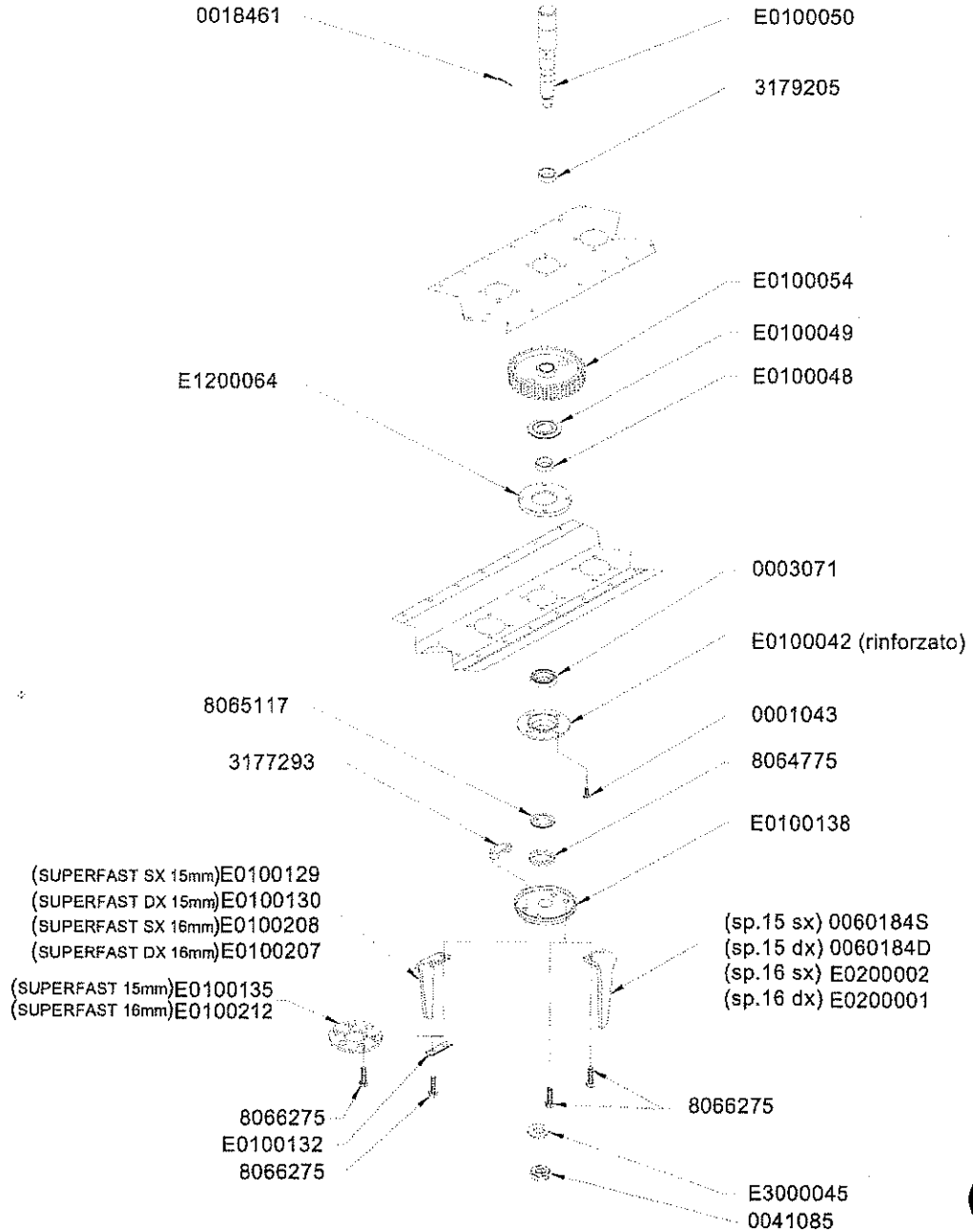
Order Ship E/C

Taken By  
Terms

L L

INT

PUT BACK  
BROKEN

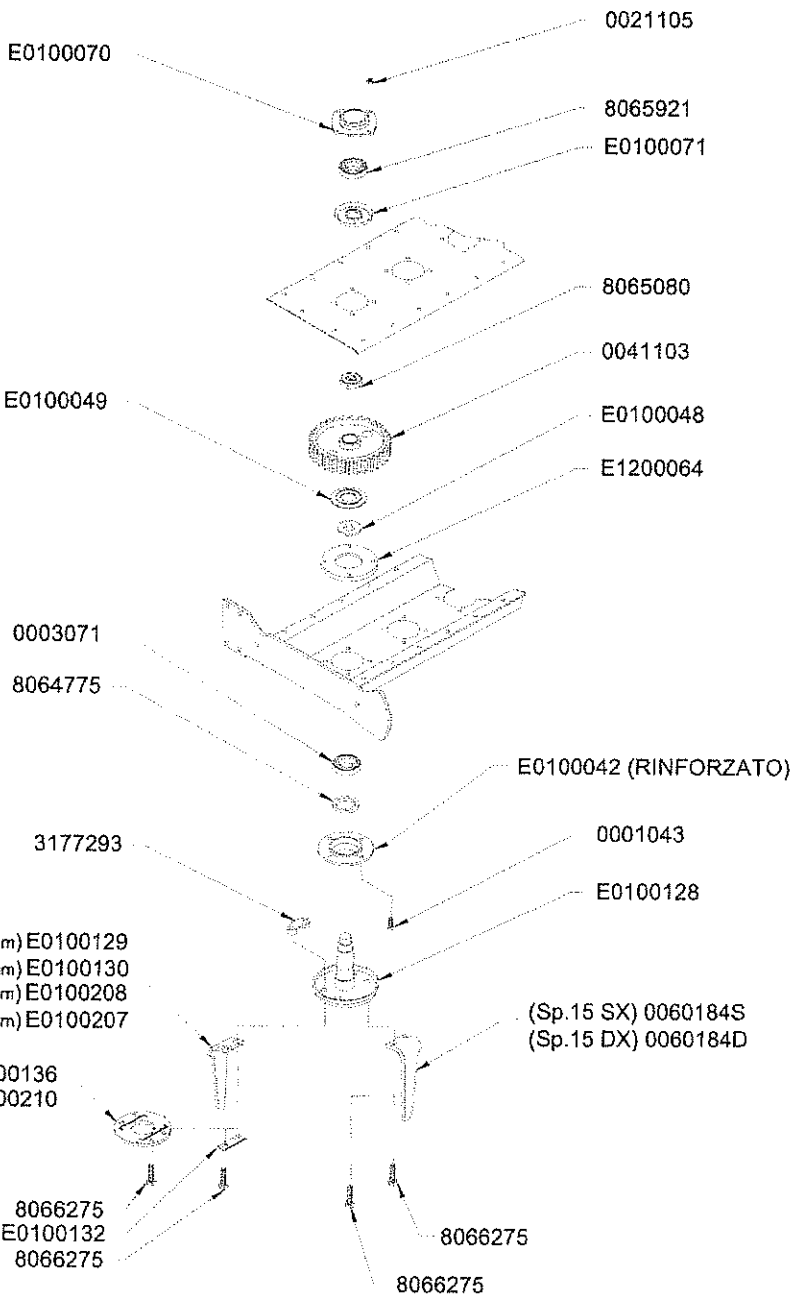


Authorized Signature \_\_\_\_\_ Date \_\_\_\_\_ Pulled By \_\_\_\_\_

mekfarmer 220



TAV.7



INT  
PUT BACK ON  
BROKEN

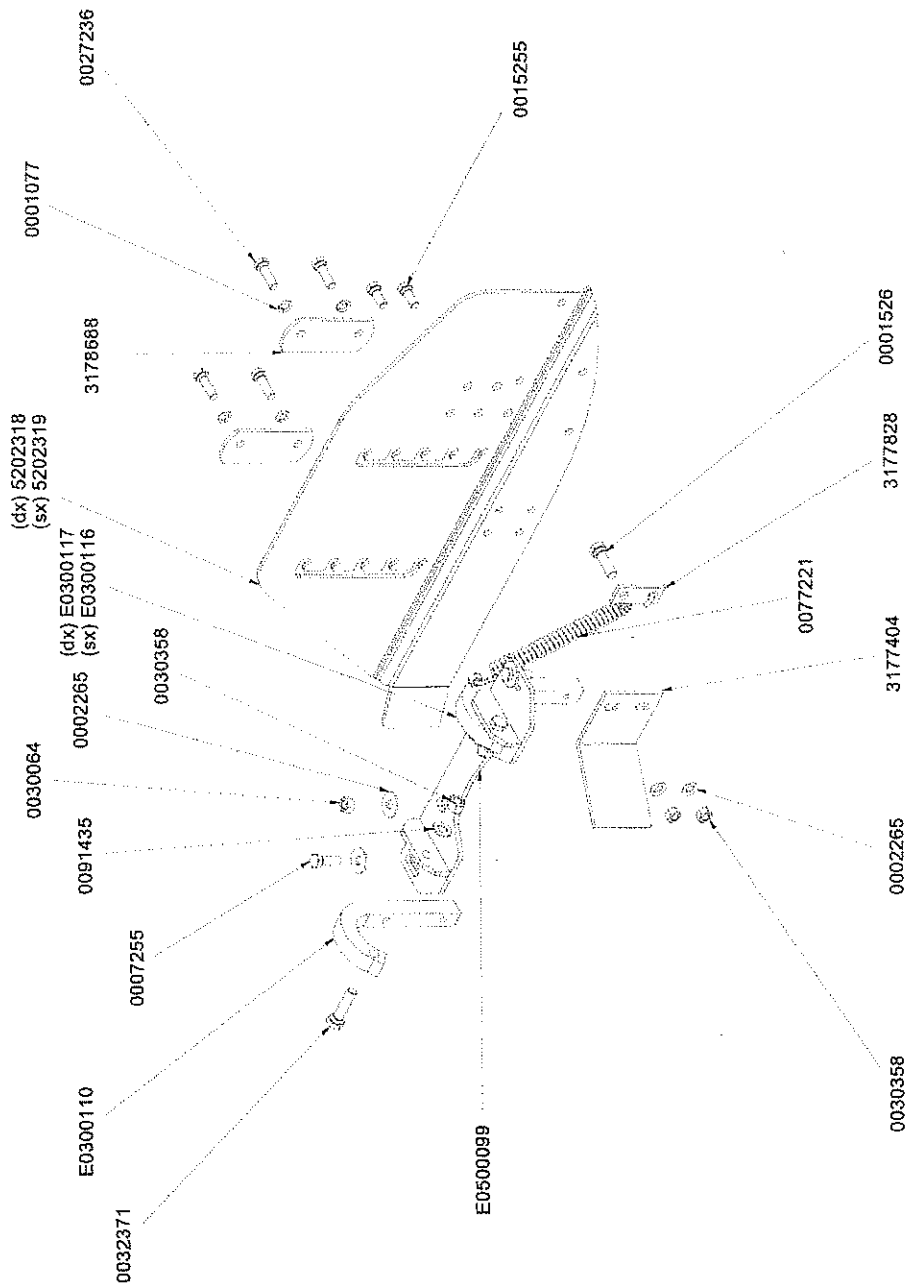
1  
1  
Taken By  
Terms  
B/O  
Order Ship  
Mode  
BY TRK Make  
082

UNITS INVERT

8066275



TAV.8



Pulled By

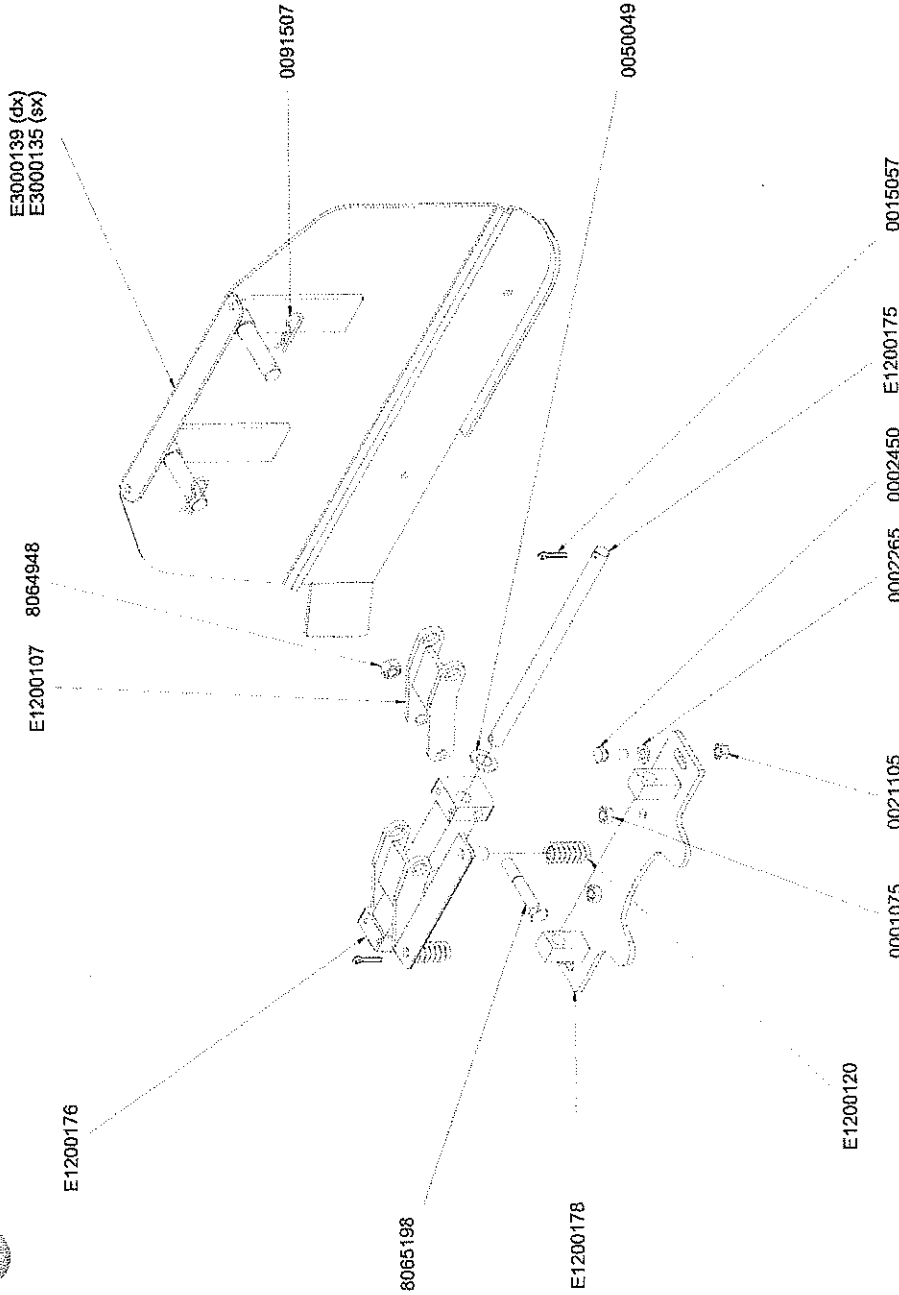
Checked By

Authorized Sign

mekfarmer 220



TAV.9



082

Br Trk Make Mod

Order Ship B/O

Taken By Terms

1 1

INT

PUT BACK O

BROKEN

UNITS IN

SYSTEMS

GEN

MP

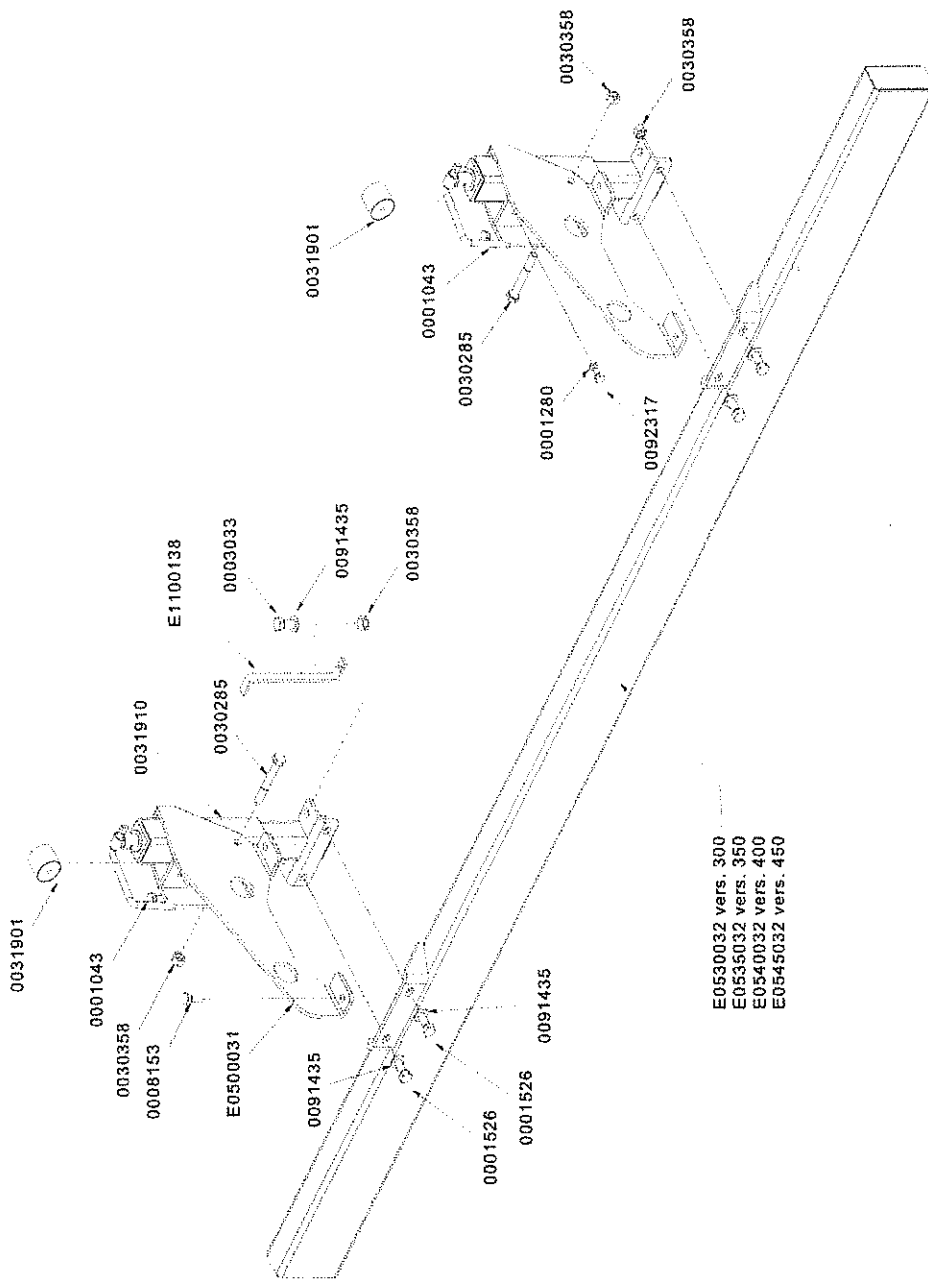
DATE

NAME

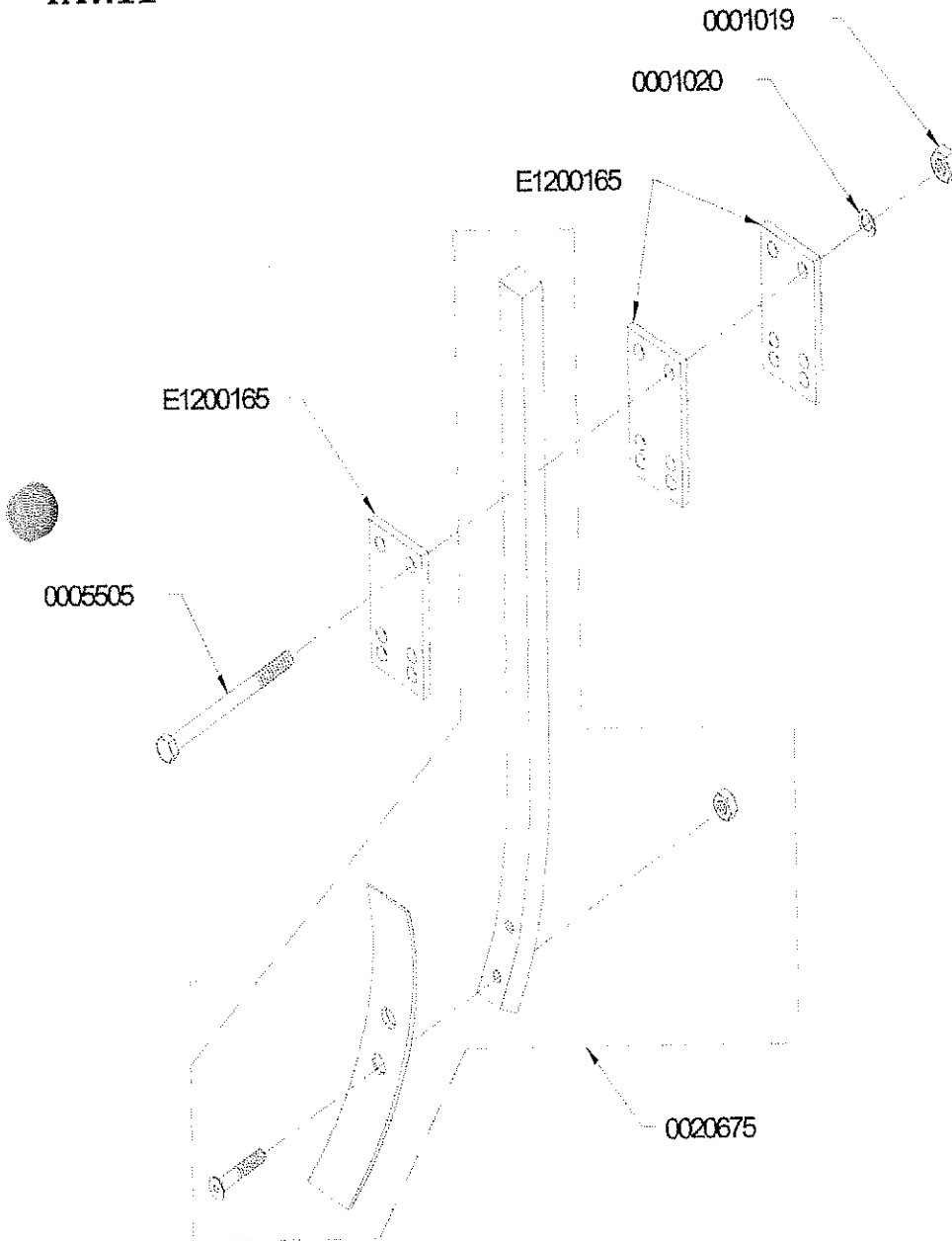
ADDRESS AND PHONE NO.



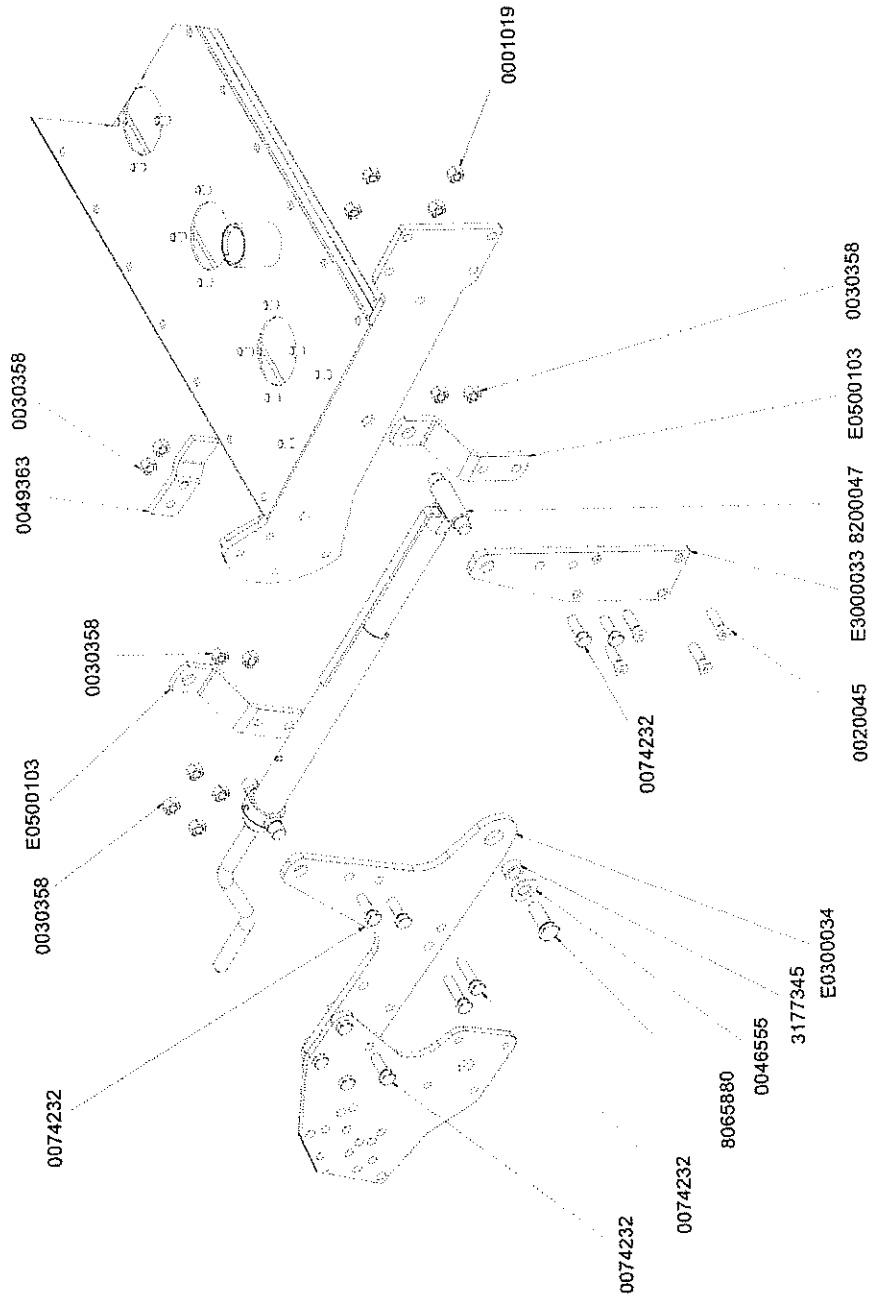
# TAV.10



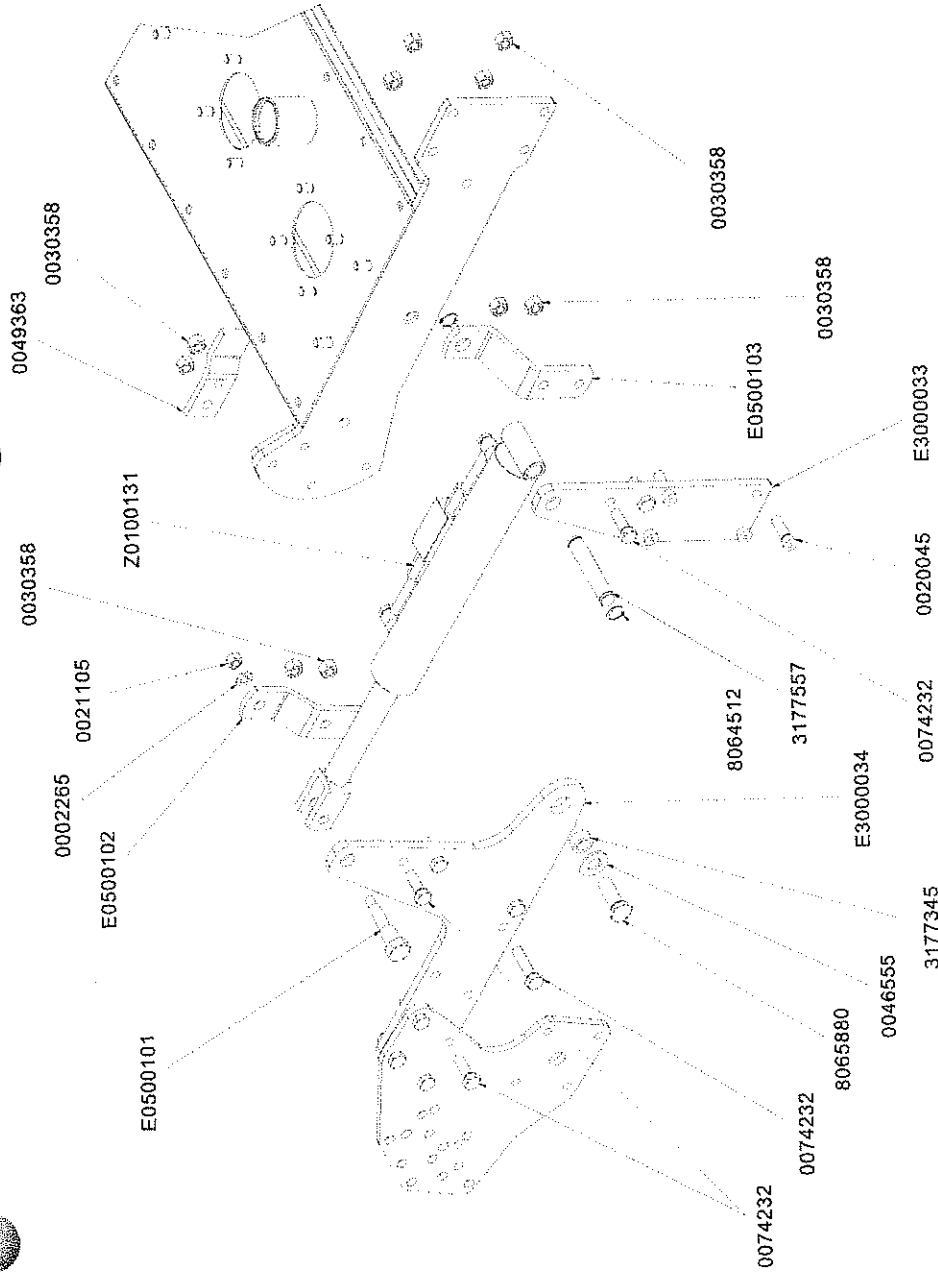
TAV.11



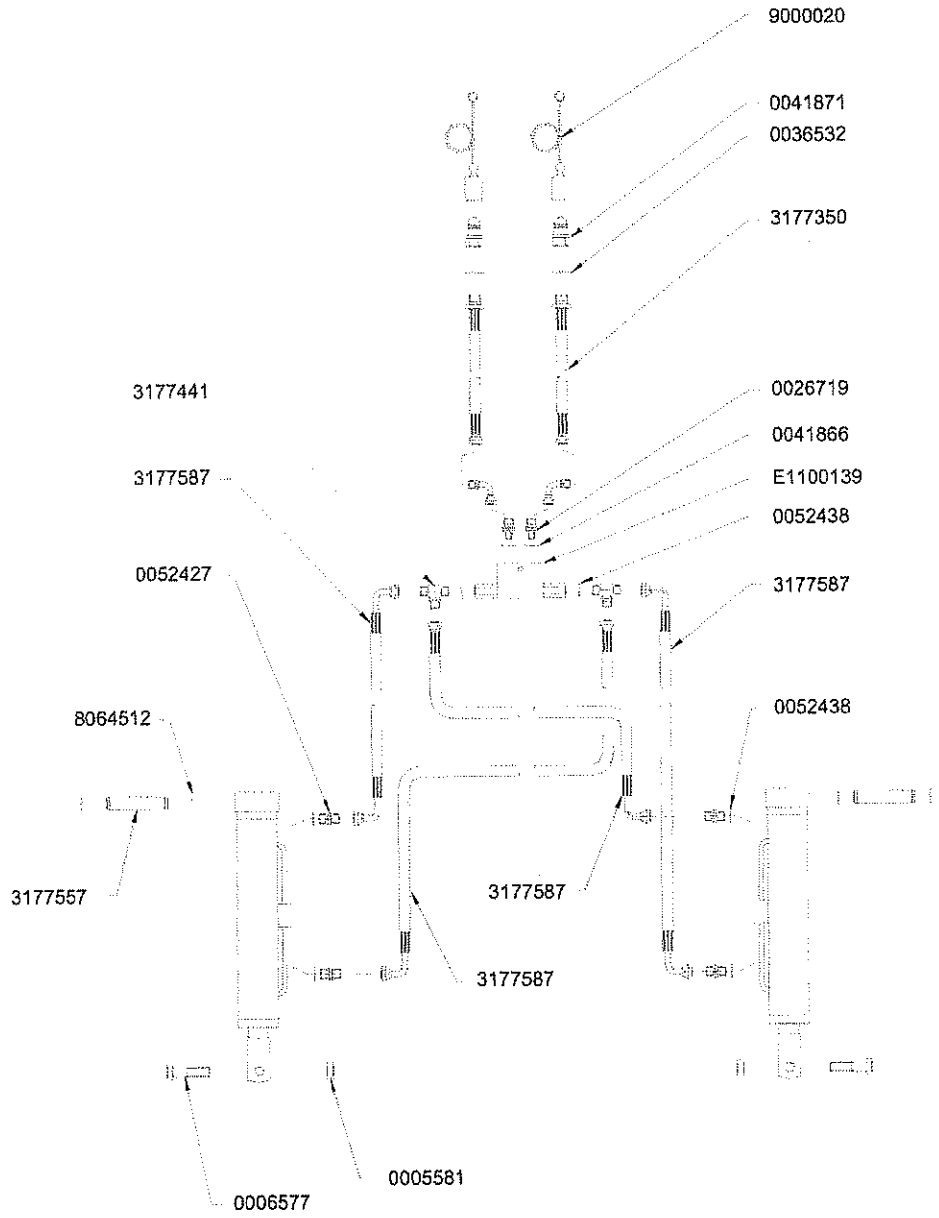
TAV.12



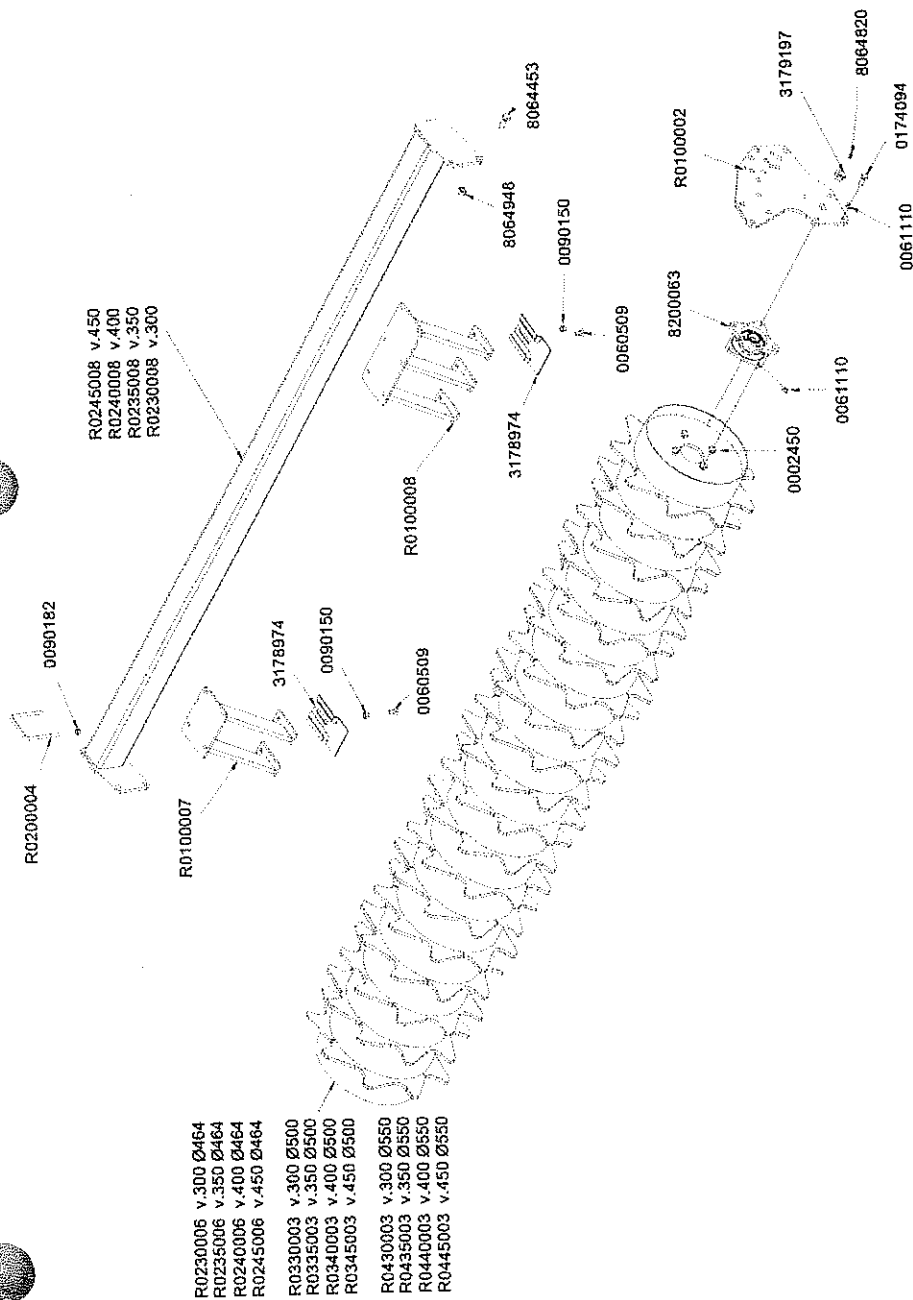
# TAV.13



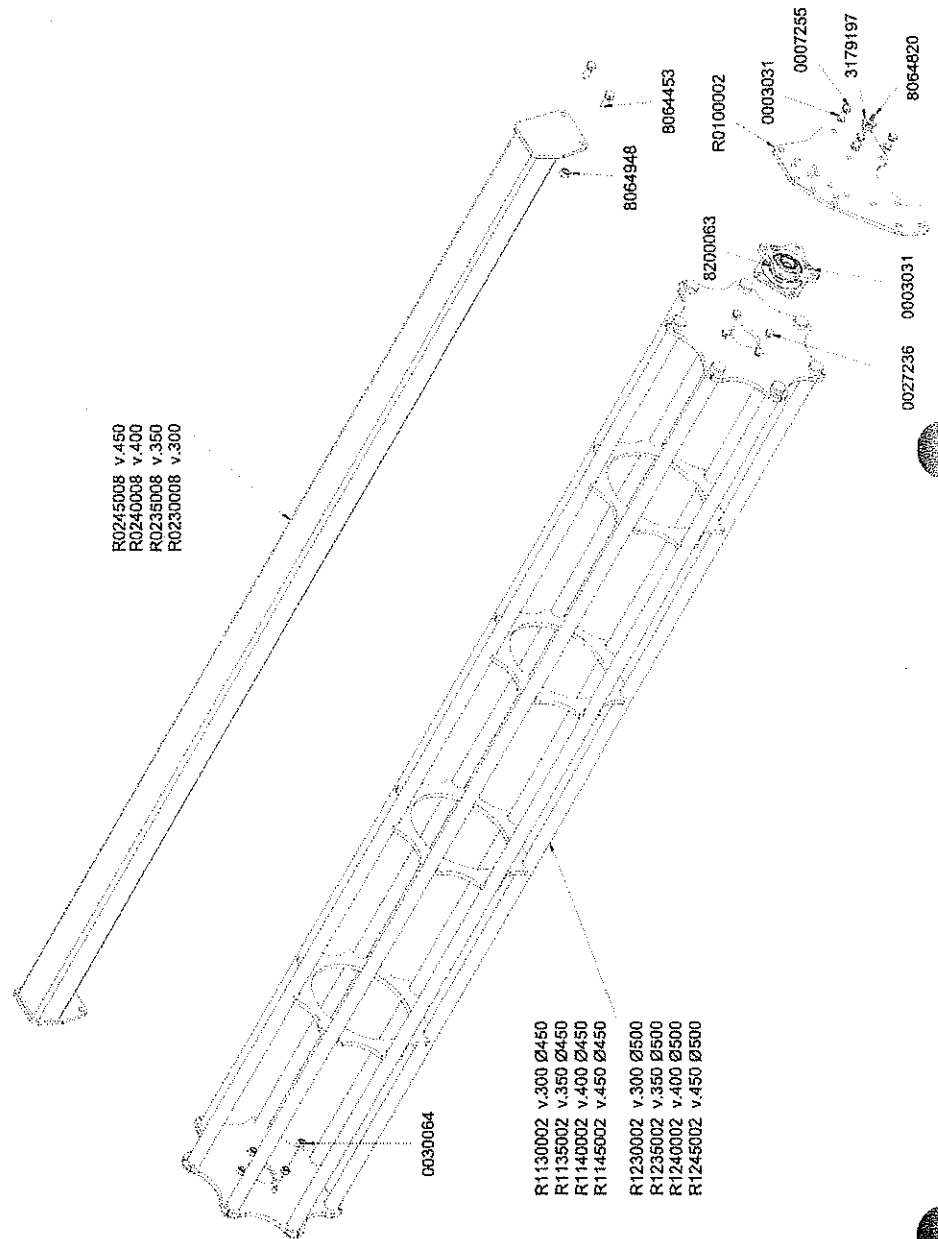
TAV.14



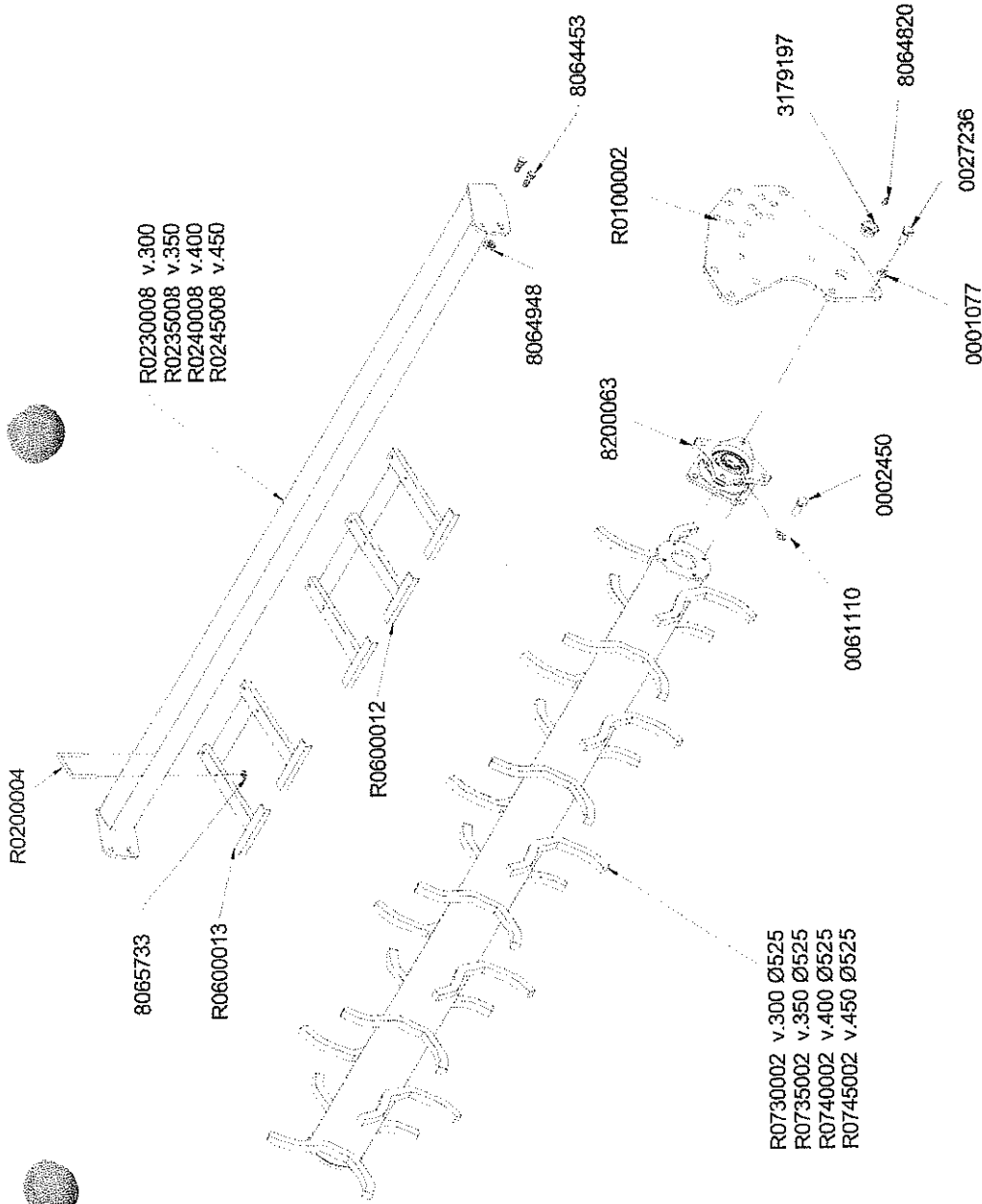
TAV.15



TAV.16

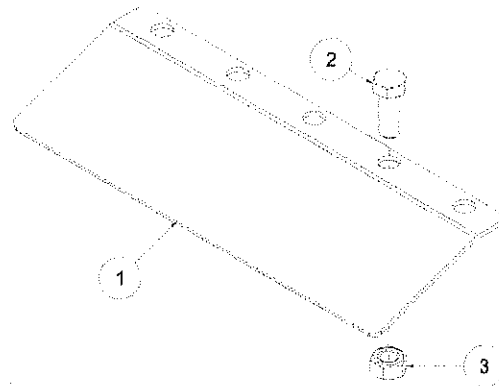


TAV.17





TAV.18



POS.	CODICE	DESCRIZIONE	QTA	
1	E3000005	PROTEZIONE	VERS. 300	6 + 4
			VERS. 350	8 + 4
			VERS. 400	8 + 4
2	0002186	VITE TE M12x30 CL.8.8 PG ZINCATA UNI 5739-65		
3	0030064	DADO M12 CL.8 PG AUTOFRENANTE		